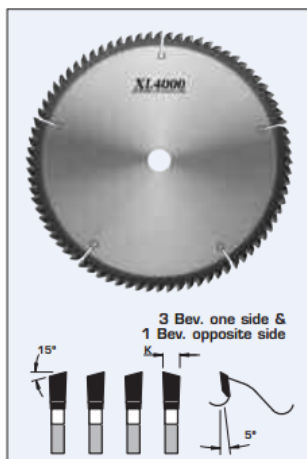


## Edge of Arlington Saw & Tool, Inc.

124 South Collins  
Arlington, TX 76010  
Phone: 817-461-7171 • Fax: 817-795-6651  
Toll Free: 888-461-7171  
Email: [info@eoasaw.com](mailto:info@eoasaw.com)  
Website: [www.eoasaw.com](http://www.eoasaw.com)



### Item #S4D300-LH, FS Tool XL4000 Extended Life Double Cut-Off Saw Blades \$305.42

Thank you for shopping with us.

Left-Hand

#### Design:

- Tooth configuration: 3 beveled one side & 1 beveled opposite side
- Cutting Material: TC XL4000
- Extra heavy plate provides added stability
- Expansion slots: Cu Plugged

#### Application:

- For fine cut-off and mitre cuts of soft and hardwoods, and trimming of plywood, wood veneered and plastic laminated panels single-sided, or double-sided using a pre-scoring unit.
- On double cut-off machines and single- or double-end tenoners

## SPECIFICATIONS

<b>Diameter</b>	12 in
<b>Bore</b>	1 in
<b>Kerf</b>	.160 in
<b>Manufacturer</b>	FS Tool
<b>Plate</b>	.118 in
<b>Teeth</b>	80