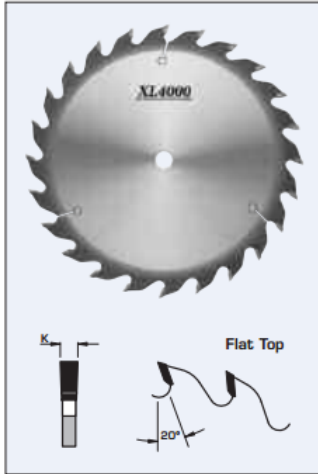


## Edge of Arlington Saw & Tool, Inc.

124 South Collins  
Arlington, TX 76010  
Phone: 817-461-7171 • Fax: 817-795-6651  
Toll Free: 888-461-7171  
Email: [info@eoasaw.com](mailto:info@eoasaw.com)  
Website: [www.eoasaw.com](http://www.eoasaw.com)



### Item #S21350, FS Tool XL4000 Extended Life Heavy Duty Rip Saw Blades \$215.54

Thank you for shopping with us!

#### Design:

- Tooth configuration: Flat Top
- Cutting Material: TC XL4000
- Expansion slots: Cu Plugged

#### Application:

- For ripping dry soft and hardwoods
- On table saws or gang-rip saws with one or two shafts

## SPECIFICATIONS

<b>Manufacturer</b>	FS Tool
<b>Diameter</b>	14 in
<b>Bore</b>	1 in
<b>Grind</b>	
<b>Kerf</b>	.170 in
<b>Hook Angle</b>	20 deg
<b>Machine</b>	--
<b>Pinholes</b>	--
<b>Keyways</b>	--
<b>Plate</b>	0.118 in
<b>Teeth</b>	30 - Flat Top