

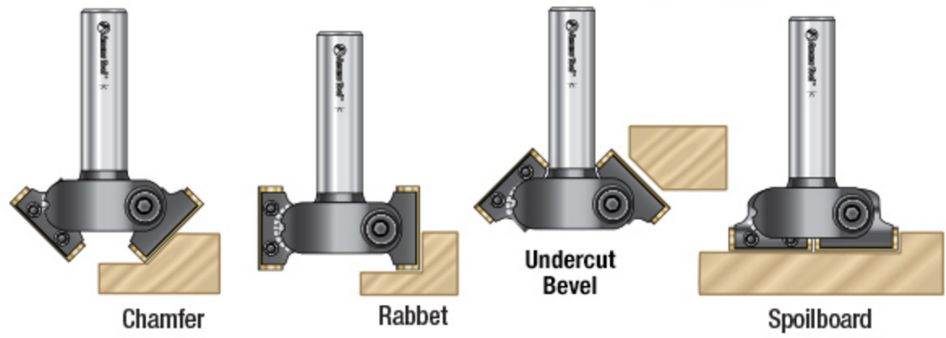
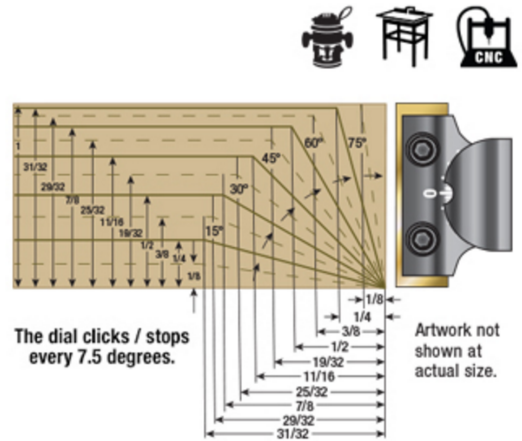
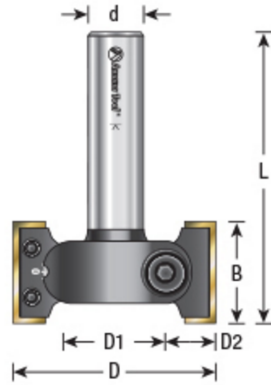
**Edge of Arlington Saw & Tool, Inc.**

124 South Collins  
 Arlington, TX 76010  
 Phone:817-461-7171 • Fax: 817-795-6651  
 Toll Free: 888-461-7171  
 Email: [info@eoasaw.com](mailto:info@eoasaw.com)  
 Website: [www.eoasaw.com](http://www.eoasaw.com)



**Item #RC-2375, Amana Tool In-Bevel™ Insert Adjustable Chamfer 1-7/8" Dia x 31/32" x 1/2" Shank Router Bit for CNC Handheld & Router Tables (Industrial)**  
**\$387.42**

Thank you for shopping with us! In-Bevel™ insert router bit complete with two cutting flutes. Suitable for producing chamfer, rabbet, bevel, and spoilboard cuts at various angles in softwood, hardwood, and man-made boards. The dial clicks/stops every 7.5° by using a notched scale. Good for use in CNC machine, handheld router, and router table machines. Insert knives are coated for longer cutting life with two cutting edges that allow users to rotate the knife when one side becomes dull. The dial clicks/stops every 7.5 degrees. General purpose knife: #RCK-460 Optional Special carbide grade for long lasting MDF work: #RCK-462 Bit tolerance is (+) (-) 0.5°



Excellent for cutting: Man-Made Boards Plastic/Acrylic  
 Hardwood/Softwood Ultra-High-Molecular-Weight Polyethylene (UHMWPE)

## SPECIFICATIONS

<b>Manufacturer</b>	Amana Tool
<b>Diameter</b>	1 7/8 in
<b>Cut Height, Length, or Width</b>	31/32 in
<b>Diameter (D1)</b>	25mm
<b>Replacement Parts</b>	Screw: #67133
<b>Diameter (D2/D3)</b>	11.5mm
<b>Knives</b>	Gen Purpose #RCK-460 (2); Optional Special carbide grade for long lasting MDF work #RCK-462 (2)
<b>Overall Length</b>	2 13/16 in
<b>Shank</b>	1/2 in
<b>Angle</b>	- 45 deg to +90 deg
<b>RPM</b>	16,000