

## Edge of Arlington Saw & Tool, Inc.

124 South Collins  
Arlington, TX 76010  
Phone: 817-461-7171 • Fax: 817-795-6651  
Toll Free: 888-461-7171  
Email: [info@eoasaw.com](mailto:info@eoasaw.com)  
Website: [www.eoasaw.com](http://www.eoasaw.com)



99-516

### Item #99-516, Freud 3 1/2 in Dia, 1/2 in CH, 2 1/2 in OAL, 1/2 in Shank Quadra-Cut™ Raised Panel Bit \$124.04

Thank you for shopping with us!

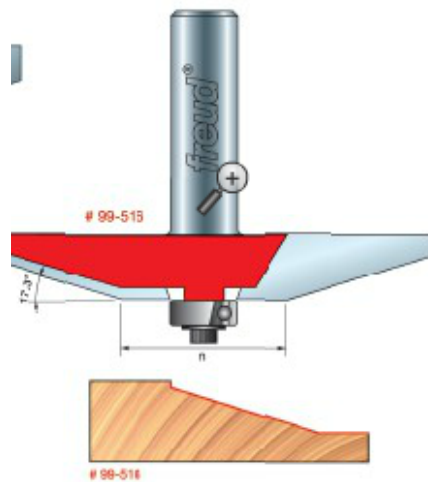
**Application:** Ideal for creating raised panels for doors and paneling, as well as decorative tops, plaques, and molding (see video below for more information on Quadra-Cut™ Design)

-Revolutionary design combines two small wings that cut downward to shear the top edge for a splinter-free surface, and two large wings that shear upward for a smooth finish.

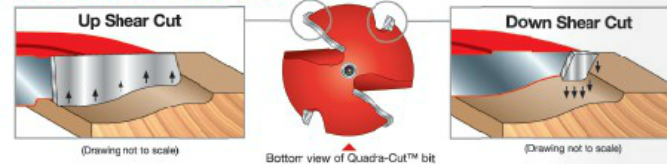
-Use 1/2" height for 5/8" stock. Use 5/8" height for 3/4" stock.

-Cuts all composition materials, plywoods, hardwoods, and softwoods.

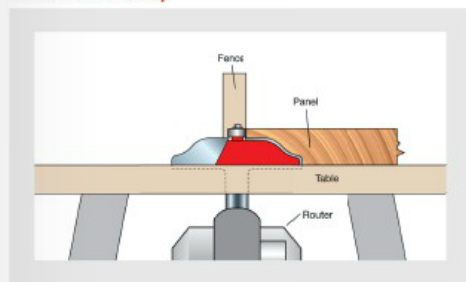
-Use on table-mounted portable routers



#### Freud's Quadra-Cut™ 4 Cutter Design



#### Raised Panel Setup



## SPECIFICATIONS

<b>Manufacturer</b>	Freud Tools
<b>Cut Height, Length, or Width</b>	1/2 in
<b>Diameter</b>	3 1/2 in
<b>Minor Height</b>	5/32 in
<b>Overall Length</b>	2 1/2 in
<b>R1/Radius</b>	N/A
<b>R2/Radius</b>	N/A
<b>Shank</b>	1/2 in
<b>Small Diameter</b>	1 1/4 in