

Edge of Arlington Saw & Tool, Inc.

124 South Collins
Arlington, TX 76010
Phone: 817-461-7171 • Fax: 817-795-6651
Toll Free: 888-461-7171
Email: info@eoasaw.com
Website: www.eoasaw.com



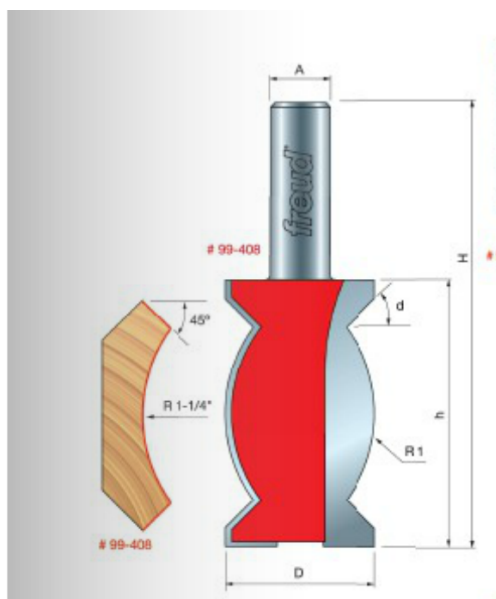
Item #99-408, Freud 1 1/4 in Dia, 45 deg, 2 1/4 in CH, 3 3/4 in OAL, 1/2 in Shank Crown Molding Bit \$83.91

Thank you for shopping with us!

Application: Elaborate crown moldings

- Customize your decorative crown moldings to add elegance to any room
- Simply adjust the height of your cut to change the entire profile
- Cuts all composition materials, plywoods, hardwoods, and softwoods
- Use on CNC and other automatic routers and table-mounted portable routers

99-408



SPECIFICATIONS

Manufacturer	Freud Tools
Diameter	1 1/4 in
Cut Height, Length, or Width	2 1/4 in
Overall Length	3 3/4 in
R1/Radius	1 1/4 in
R2/Radius	N/A
Shank	1/2 in
Angle	45 deg