

## Edge of Arlington Saw & Tool, Inc.

124 South Collins  
Arlington, TX 76010  
Phone:817-461-7171 • Fax: 817-795-6651  
Toll Free: 888-461-7171  
Email: [info@eoasaw.com](mailto:info@eoasaw.com)  
Website: [www.eoasaw.com](http://www.eoasaw.com)



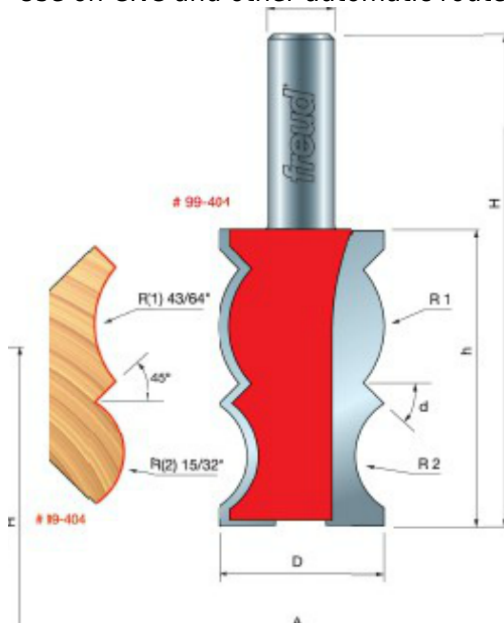
### Item #99-404, Freud 1 1/4 in Dia, 45 deg, 2 1/4 in CH, 3 3/4 in OAL, 1/2 in Shank Crown Molding Bit \$83.91

Thank you for shopping with us!

**Application:** Elaborate crown moldings

- Customize your decorative crown moldings to add elegance to any room
- Simply adjust the height of your cut to change the entire profile
- Cuts all composition materials, plywoods, hardwoods, and softwoods
- Use on CNC and other automatic routers and table-mounted portable routers

99-404



## SPECIFICATIONS

<b>Manufacturer</b>	Freud Tools
<b>Diameter</b>	1 1/4 in
<b>Cut Height, Length, or Width</b>	2 1/4 in
<b>Overall Length</b>	3 3/4 in
<b>R1/Radius</b>	43/64 in
<b>R2/Radius</b>	15/32 in
<b>Shank</b>	1/2 in
<b>Angle</b>	45 deg