

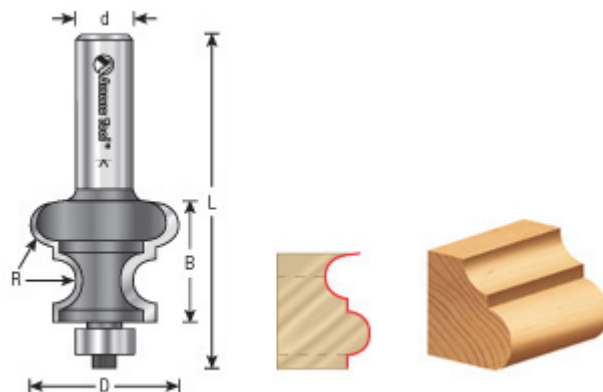
## Edge of Arlington Saw & Tool, Inc.

124 South Collins  
Arlington, TX 76010  
Phone: 817-461-7171 • Fax: 817-795-6651  
Toll Free: 888-461-7171  
Email: [info@eoasaw.com](mailto:info@eoasaw.com)  
Website: [www.eoasaw.com](http://www.eoasaw.com)



### Item #54188, Amana Tool Matched Bead Carbide-Tipped 2" Dia x 1/4" Radius x 1 1/4" CH x 1/2" Shk 2-Flute w/ Ball Bearing Guide **\$115.30**

Thank you for shopping with us! Amana Tool Matched Bead Carbide-Tipped 2" Dia x 1/4" Radius x 1 1/4" CH x 1/2" Shk 2-Flute w/ Ball Bearing Guide This dual-purpose bit produces both moldings and joints. Use in place of matched flute and bead bit sets to mill the edges of strips used in various stave constructions such as planters, canoes, and hot tubs. Switch from fluting to beading by raising or lowering the bit. Pilot bearing allows use for template-guided cuts. Recommended for router table use; smaller sizes can be used with an edge guide equipped portable router. Replacement bearing for #54188 use #47716  
**(Warning: maximum RPM for 54188 = 18,000)**



## SPECIFICATIONS

<b>Manufacturer</b>	Amana Tool
<b>Bearing(s)</b>	47716
<b>Diameter</b>	2 in
<b>Cut Height, Length, or Width</b>	1 1/4 in
<b>Flute</b>	2 w/Bearing
<b>Overall Length</b>	3 in
<b>Radius</b>	1/4 in
<b>Shank</b>	1/2 in