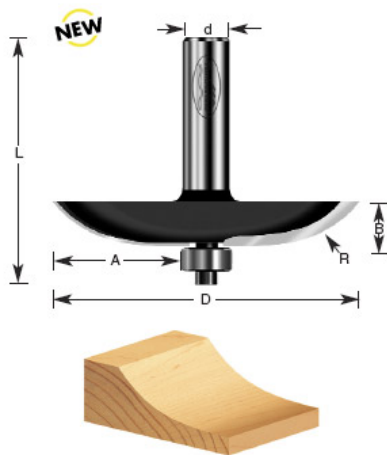


Edge of Arlington Saw & Tool, Inc.

124 South Collins
Arlington, TX 76010
Phone: 817-461-7171 • Fax: 817-795-6651
Toll Free: 888-461-7171
Email: info@eoasaw.com
Website: www.eoasaw.com



Item #460-13, Amana Professional Quality Cove Raised Panel Router Bits \$156.35

Thank you for shopping with us! Create raised panels for cabinet doors, frame and panel furniture, and architectural paneling with a raised panel bit. The cutter forms a fillet to delineate the raised field, a shaped band around the field, and an integral tongue to fit the panel groove in the frame members. The profile contour and the reveal width varies. Must be used in a table-mounted 3+ horsepower router and run at reduced speed. Use this bit for panels with curved edges. Multiple passes recommended. 1/2" Shank 2 Flute with ball bearing guide Professional Quality Carbide-Tipped *Use in a table-mounted router. Not for use in a handheld router!

SPECIFICATIONS

| | |
|-------------------------------------|--|
| Manufacturer | Amana Tool |
| Diameter | 3 1/2 in |
| Bearing(s) | 47706, Amana Tool 3/16 ID x 1/2 OD x .195 Thick Steel Ball Bearing Guide |
| Cut Depth | 1 1/2 in |
| Cut Height, Length, or Width | 21/32 in |
| Flute | 2 |
| Overall Length | 2 9/16 in |
| Radius | 1 37/64 in |
| RPM | 12,000 |
| Shank | 1/2 in |