

Edge of Arlington Saw & Tool, Inc.

124 South Collins
Arlington, TX 76010
Phone: 817-461-7171 • Fax: 817-795-6651
Toll Free: 888-461-7171
Email: info@eoasaw.com
Website: www.eoasaw.com



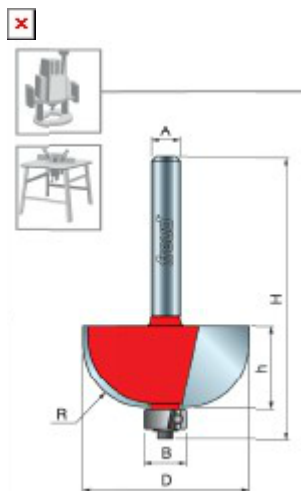
Item #30-111, Freud 1 in Dia, 5/16 in Ch, 2 1/2 in OAL, 5/16 in Radius, 1/2 Shank Cove Bit

\$41.48
Thank you for shopping with us!

Application: Smooth, decorative edging and inverted radii

- Create smooth, classic cove profiles with Freud cove bits, which have a shear angle that slices wood similar to the way a craftsman uses a hand plane.
- Cuts all composition materials, plywoods, hardwoods, and softwoods.
- Use on hand-held and table-mounted portable routers.

30-111



SPECIFICATIONS

Manufacturer	Freud Tools
Diameter	1 in
Cut Height, Length, or Width	5/16 in
Overall Length	2 1/2 in
Radius	5/16 in
Shank	1/2 in