

Edge of Arlington Saw & Tool, Inc.

124 South Collins
 Arlington, TX 76010
 Phone:817-461-7171 • Fax: 817-795-6651
 Toll Free: 888-461-7171
 Email: info@eoasaw.com
 Website: www.eoasaw.com



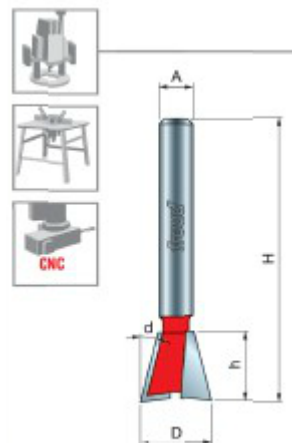
Item #22-115, Freud 17/32 in Dia, 7 deg, 25/32 in CH, 1/2 in Shank Dovetail Bit
\$30.08

Thank you for shopping with us!

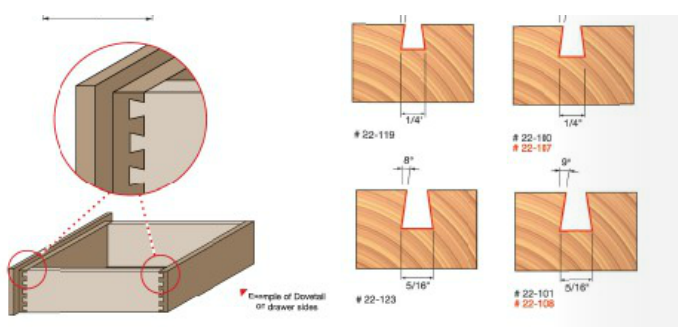
Application: Strong, attractive joints for drawers and boxes

- Compatible with popular dovetail jigs, these bits produce smooth, intricate dovetail joints
- Cuts all composition materials, plywoods, hardwoods, and softwoods
- Use on CNC and other automatic routers as well as hand-held and table-mounted portable routers

22-115



✗ 22-115: For use with Porter-Cable® Dovetail Jig #4212



SPECIFICATIONS

Manufacturer	Freud Tools
Diameter	17/32 in
Cut Height, Length, or Width	25/32 in
Overall Length	2 3/8 in

SPECIFICATIONS

Shank	1/2 in
Angle	7 deg