

## Edge of Arlington Saw & Tool, Inc.

124 South Collins  
 Arlington, TX 76010  
 Phone: 817-461-7171 • Fax: 817-795-6651  
 Toll Free: 888-461-7171  
 Email: [info@eoasaw.com](mailto:info@eoasaw.com)  
 Website: [www.eoasaw.com](http://www.eoasaw.com)



### Item #22-114, Freud 3/4 in Dia, 7 deg, 7/8 in CH, 1/2 in Shank Dovetail Bit

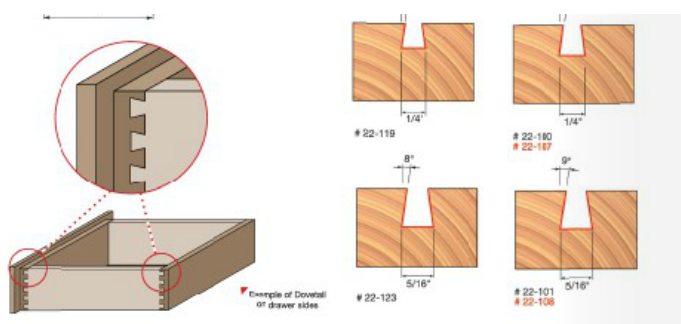
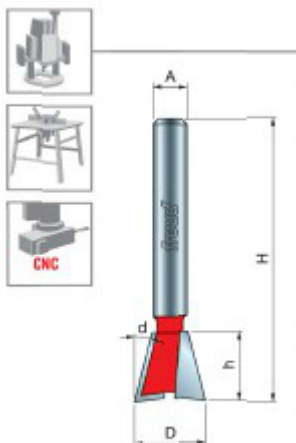
**\$28.59**

Thank you for shopping with us!

**Application:** Strong, attractive joints for drawers and boxes

- Compatible with popular dovetail jigs, these bits produce smooth, intricate dovetail joints
- Cuts all composition materials, plywoods, hardwoods, and softwoods
- Use on CNC and other automatic routers as well as hand-held and table-mounted portable routers

22-114



## SPECIFICATIONS

<b>Manufacturer</b>	Freud Tools
<b>Diameter</b>	3/4 in
<b>Cut Height, Length, or Width</b>	7/8 in
<b>Overall Length</b>	2 5/8 in

## SPECIFICATIONS

<b>Shank</b>	1/2 in
<b>Angle</b>	7 deg