

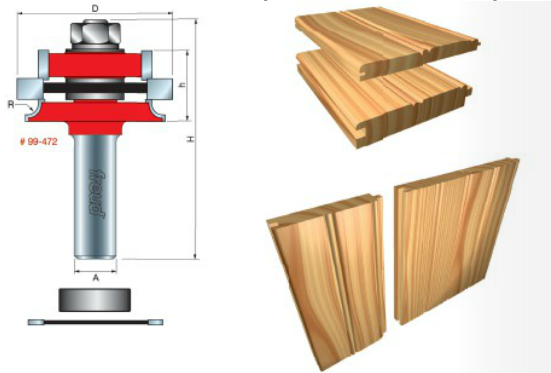
## Edge of Arlington Saw & Tool, Inc.

124 South Collins  
Arlington, TX 76010  
Phone: 817-461-7171 • Fax: 817-795-6651  
Toll Free: 888-461-7171  
Email: [info@eoasaw.com](mailto:info@eoasaw.com)  
Website: [www.eoasaw.com](http://www.eoasaw.com)

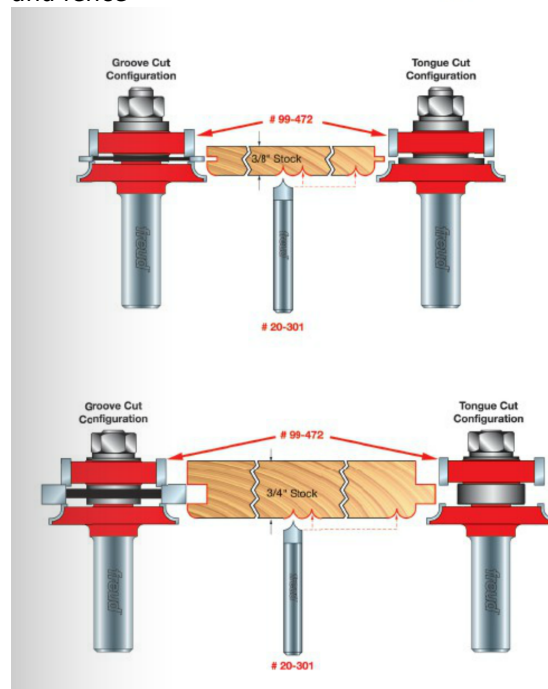


### Item #20-301, Freud 1/4 in Dia, 3/16 in CH, 1/8 in Radius Beadboard Bit System - Radius V Groove Bit - Solid Carbide \$23.24

Thank you for shopping with us! Application: Create beautiful wainscoting, paneling, back panels for bookcases, and much more Freud's new Beadboard Tongue and Groove System mills perfect beadboard in a variety of thicknesses from 3/8" to 3/4" , and in almost any width. Mill beadboard from any hardwood or softwood, and use it to create a beautiful effect as wainscoting, wall or ceiling paneling, cabinet and bookcase backs, and more. The tongue and groove bits include two slot cutters: use the 1/4" cutter to mill a 1/4" thick tongue and groove for 1/2" to 3/4" stock, or switch to the 1/16" cutter for thinner material. Once the tongue and groove joints are complete, use the solid carbide Radius V-Groove Bit to complete the beadboard design. -Mills traditional beadboard in a variety of thicknesses and widths -Includes two slot cutters to rout either 1/4" or 1/16" tongue & groove joints -Use with any hardwood or softwood to match your décor -Use only with a table-mounted router



and fence



## SPECIFICATIONS

<b>Manufacturer</b>	Freud Tools
<b>Diameter</b>	1/4 in
<b>Cut Height, Length, or Width</b>	3/16 in
<b>Overall Length</b>	1 3/4 in
<b>Radius</b>	1/8 in
<b>Shank</b>	1/4 in
<b>Type</b>	Radius V Groove Bit