

**Freeborn**  
TOOL COMPANY, INC.



**FROM FREEBORN TOOL CO.**

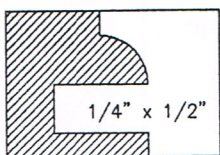
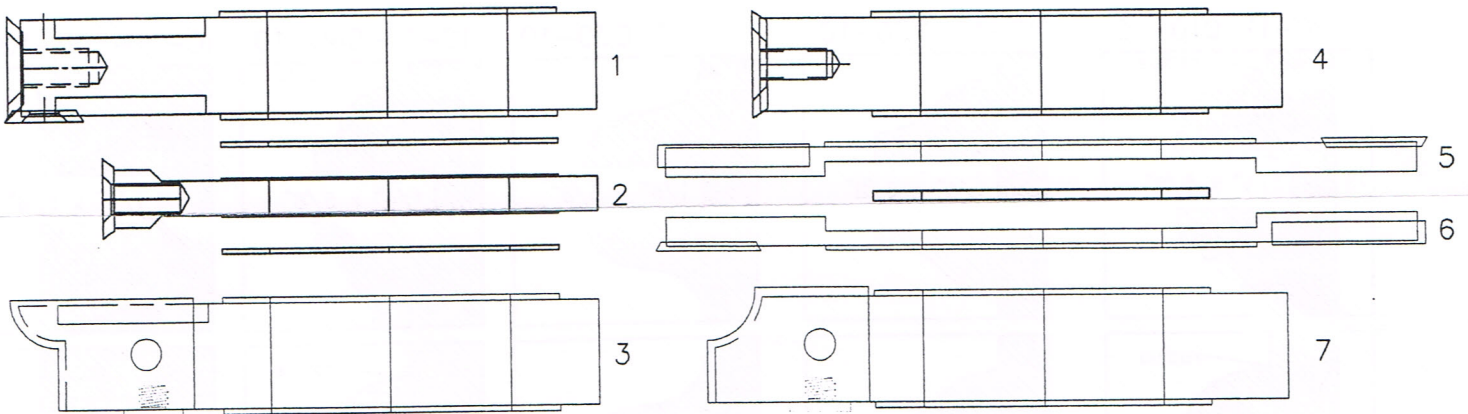
**7 PIECE ADJUSTABLE CABINET DOOR SETS**

With expandable center groovers on the "pattern" side, these sets allow a tongue width from 5.2mm – 1/4" just by adding and subtracting shims. New profiles require only the profile cutters for a significant savings. Featuring a 4" outside diameter, and a 1 1/4" bore, these sets are made to order in the profiles listed below.

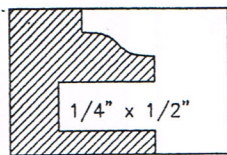
**\$899.00 MSRP**

Includes your first set of carbide tips.

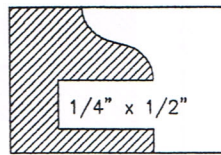
CUTTER LAYOUT (EXAMPLE: I-10-010-7)



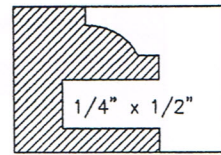
IC-10-010-7



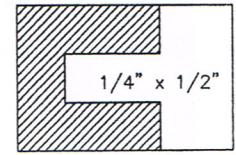
IC-10-020-7



IC-10-030-7



IC-10-040-7



IC-10-500-7

**FOR MORE INFORMATION CALL 1-800-523-8988**